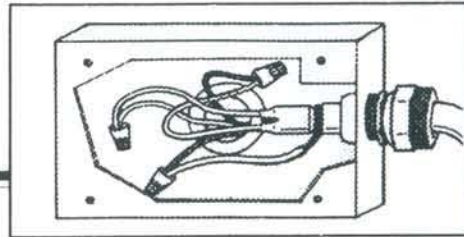


TECHNITRACE INC.

Installation Instructions Roof and Gutter Components TRG-PC Power Connection Kit

TOOLS REQUIRED: Diagonal cutters, screwdriver, needle nose pliers, utility knife, heat gun or propane torch.

(Junction box not included)



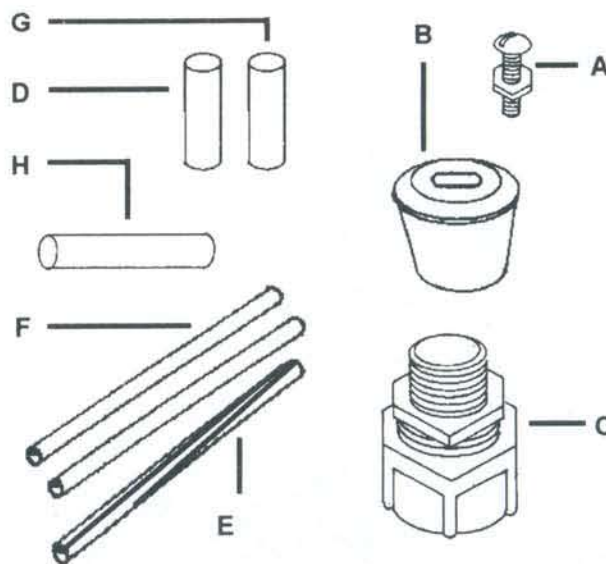
KIT CONTENTS:

Power Connection Kit

| ITEM | QTY | DESCRIPTION |
|------|-----|---|
| A | 1 | Grounding screw and nut. 10/32" x 3/8" |
| B | 1 | Grommet |
| C | 1 | Sealing fitting |
| D | 1 | Black heat-shrink tube 1/2" x 1 1/2" |
| E | 1 | Green/Yellow heat-shrink tube 1/4" x 5 1/2" |
| F | 2 | Black heat-shrink tubes 1/8" x 5 1/2" |

End Seal

| | | |
|---|---|--------------------------------------|
| G | 1 | Black heat-shrink tube 1/2" x 1 1/2" |
| H | 1 | Black heat-shrink tube 3/4" x 4" |



WARNING - The contents of the component kit must be installed correctly to ensure proper operation and to prevent shock or fire. Read these important warnings and carefully follow all the installation instructions.

- To minimize the danger of fire from sustained electrical arcing if the heating cable is damaged or improperly installed use a ground fault protection device. Arcing may not be stopped by conventional circuit breakers.
- Component approvals and performance are based on the use of specified parts only. Do not substitute parts or use vinyl electrical tape.
- The black heating-cable core is conductive and can short. It must be properly insulated and kept dry.
- Damaged bus wires can overheat or short. Do not break bus wire strands when preparing the cable for installation.
- Bus wires will short if they contact each other. Keep bus wires separated.
- Heat-damaged components can short. Use a heat gun or torch with a soft yellow low-heat flame, not a blue focused flame. Keep the flame moving to avoid overheating, blistering, or charring the heat shrinkable tubes. Avoid heating other components. Replace any damaged parts.
- Leave these installation instructions with the user for future reference

WARNING - Overheating heat-shrinkable tubes will produce fumes that may cause irritation. Use adequate ventilation and avoid charring or burning.

TECHNITRACE. INC.
SALT LAKE CITY, UTAH