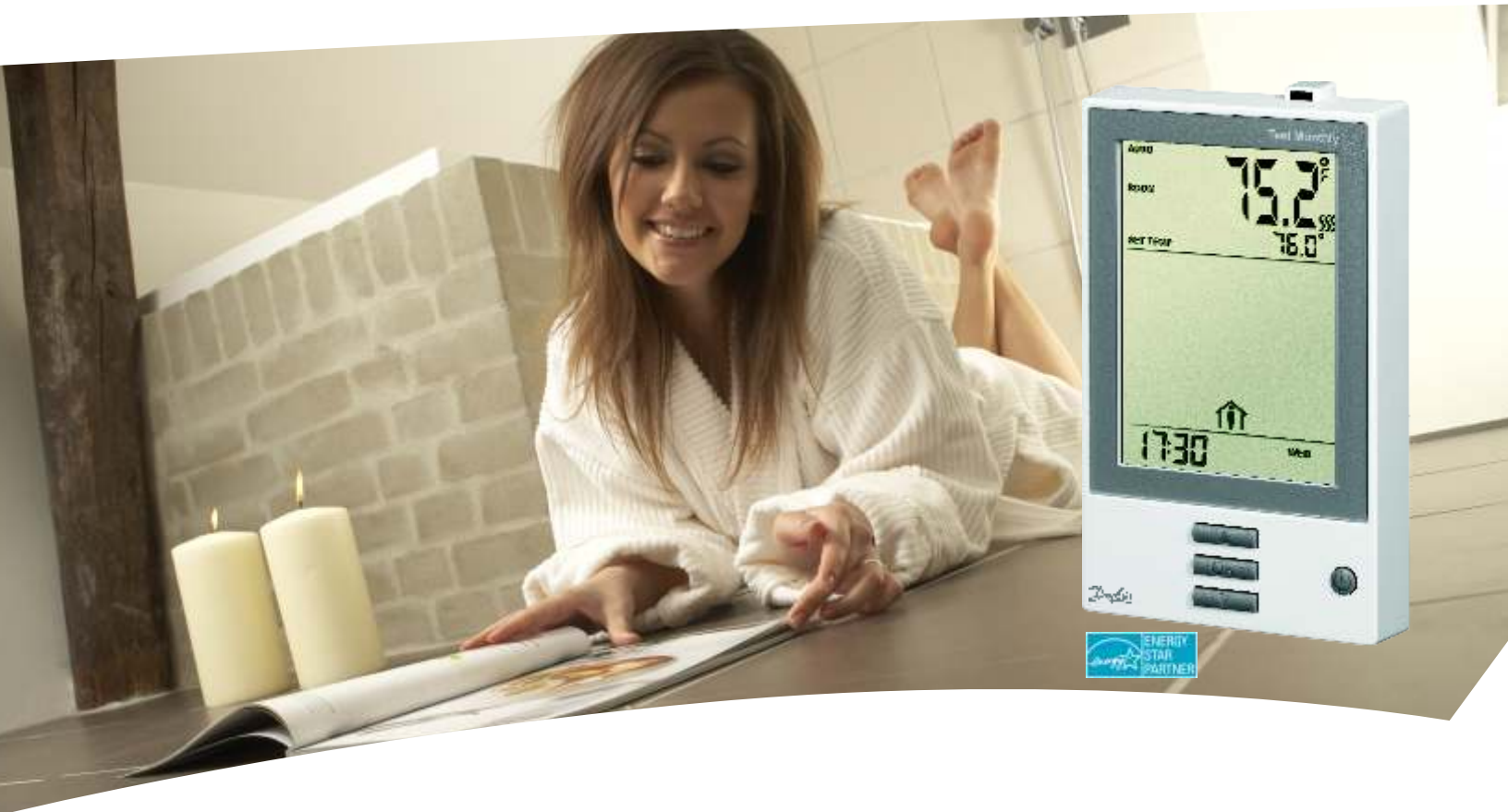


WARMZONE CT Programmable Thermostat



Efficient, Intuitive and Stylish

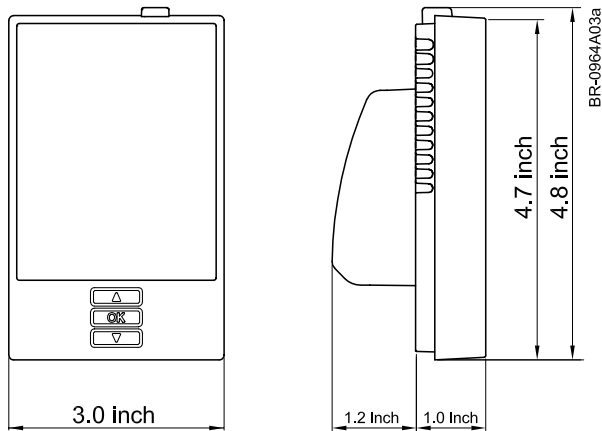
Developed for the modern home, the new CT programmable thermostat offers maximum comfort and a stylish design. The installation design of the thermostat has been carefully thought through ensuring quick and easy installation.

The Warmzone Power Module combined with the CT Programmable thermostat allows for even larger applications and can be controlled with a single thermostat. The new Warmzone CT programmable thermostat has full GFCI 5mA protection to meet the highest standards in the market.

Features:

- Large back-lit display for easy programming
- Simple to program with intuitive on-screen menus
- Pre-programmed for quick set-up
- Monitored energy consumption
- Four-event seven-day ENERGY SAVING programming
- Simple operation - no need for manual
- Dual voltage: 120V or 240V
- Output relay: 15A
- Class A GFCI for maximum safety
- Easily upgrade older model CT thermostats

BRINGING WARMTH TO LIFE



Technical data

Class A GFCI

The thermostat features a built-in Class A GFCI (Ground Fault Circuit Interrupter). Should a ground fault occur, the GFCI disconnects both lines to the heating element. The thermostat and GFCI are dual voltage models suitable for 120/240 V, 50/60 Hz power supplies.

Fully Programmable

The thermostats are supplied with factory-set 4-event program for automatic comfort and set-back temperatures. The factory-set periods and/or temperatures can be changed according to requirements.

Furthermore, the following programs can be selected:

- 4 events for 5 days and 2 events for days 6+7
- 4 events for 6 days and 2 events for day 7
- 4 events per day

The programmable thermostat features an adaptive function, allowing it to calculate when the heating must be switched on to ensure that the comfort temperature is reached at the required time.

Comfort mode

The room temperature can be temporarily changed for a single event. The comfort mode temperature is reset after a selected number of hours. The thermostat will then return to the scheduled event program.

Manual mode

The scheduled event program can be cancelled, e.g. during holidays, and the temperature set for frost protection purposes instead, e.g. to 41°F (5°C). The new set-point will remain active until manual mode is cancelled.

Monitoring of energy consumption

Total switch-on time in percent can be displayed for the last 2 days, 30 days or 365 days. Overall energy consumption can thus be monitored.

Laminate Wood Floors

This model is designed specifically for laminate & engineered wood floors. It uses an air sensor to control the floor heating with a floor sensor that acts as a high limit to prevent the laminate or engineered wood floor from over heating. Please refer to Warmzone Reflect for optimal laminate and engineered wood heating performance.

Backup function

In the event of a power failure, an internal circuit will maintain the programming and time. However, the time must be reset if the power failure exceeds two hours.

TECHNICAL DATA

Supply.....	120/240 Vac 50/60 Hz
Load.....	15A maximum (resistive load)
Power.....	1.800 W at 120 Vac / 3.600 W at 240 Vac
GFCI.....	Class A (5 mA trip level)
Temperature range.....	+41 to +104°F.(+5 to +40°C)
Floor limit range.....	+41 to +104°F.(+5 to +40°C)
Amb. Temp. range.....	+32 to +104°F (0 to +40°C)
Clock function.....	4-event program
On/Off differential.....	0.7°F (0.4°C)
Regulation principle.....	PWM / PI
Housing.....	Nema 2 (IP21)
Floor sensor type.....	NTC (12 KΩ) 10 ft (3 m.)
Dimensions(H/W/D)	4.8/3.0/1.0 inch (123/75/25mm)

c-UL-us according to the following standards:

Thermostat:	UL 873
	CSA C22.2 No. 24
UL E-file:	E157297
GFCI:	UL 943
	CSA C22.2, No. 144. 1-06

Ordering Information

Floor sensing
Air sensing with floor temperature limiter